

CABINET LOCK

ML210 SERIES

ORDERING INFORMATION

ML210 S L D - C



EXAMPLE :

- ML210 – Basic
- ML210SL – With lock status sensor
- ML210SLD-C – With lock status sensor, door status sensor, and terminal pins

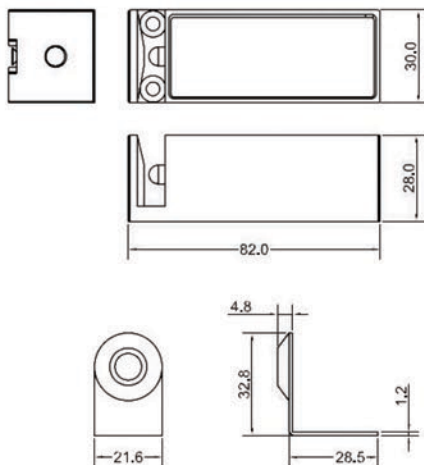
SPECIFICATIONS

- Selectable fail-safe/fail-secure mode
- Voltage: 12/24VDC
- Current Draw:
 300mA/12VDC , 150mA/24VDC
- Door status sensor, and Lock status sensor
- Option: External PC Board (for ML210SLD type only) with connectors for DC power, lock status sensor, and door status sensor, and jumpers for switching voltages on PCB.

FAIL SAFE / FAIL SECURE

- Switch from fail-safe to fail-secure (or vice-versa)

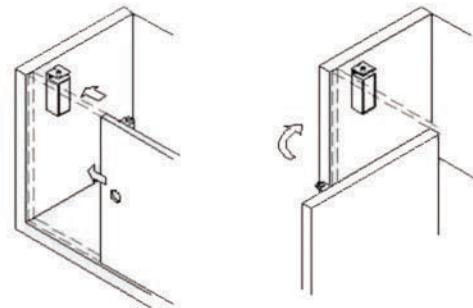
DIMENSIONS



ML210SLD-C
 (PATENTED)

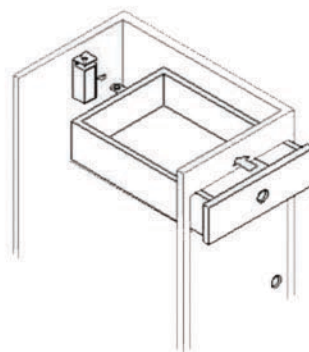
ML210 SERIES
 (PATENTED)

APPLICATIONS

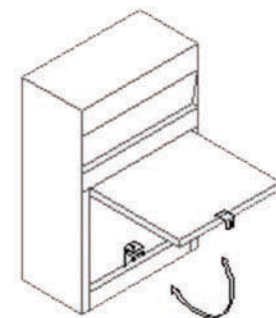


FRONT SLIDING LOCK POSITION

SIDE SLIDING LOCK POSITION



FRONT SLIDING LOCK POSITION



FRONT SLIDING LOCK POSITION

VGSE RESERVES THE RIGHT TO CHANGE SPECIFICATIONS WITHOUT NOTICE.